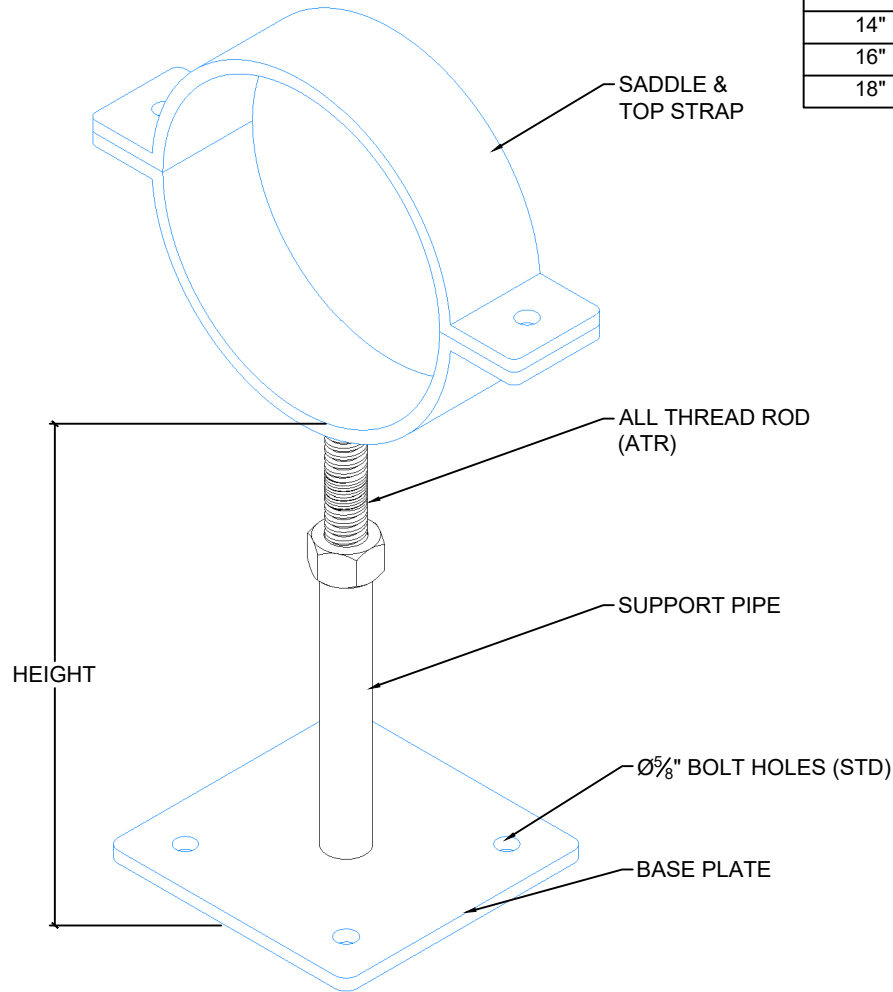


SUPPORT PIPE: A53, SCH.40, CARBON STEEL  
 SADDLE/BASE PLATE: A36 CARBON STEEL  
 COATING: TNEMEC SERIES 66; PS+ BLUE  
 ATR/NUT: ZINC PLATED A193/A194 STEEL

PIPE SIZE	ALL THREAD ROD	SUPPORT PIPE	SADDLE/ TOP STRAP	BASE PLATE
3" PIPE	1"	1"	¼" x 2"	¼" x 5" x 5"
4" PIPE	1"	1"	¼" x 2"	¼" x 5" x 5"
6" PIPE	1"	1"	¼" x 2"	¼" x 5" x 5"
8" PIPE	1"	1"	¼" x 2"	¼" x 5" x 5"
10" PIPE	1-1/4"	1-1/4"	¾" x 3"	¾" x 8" x 8"
12" PIPE	1-1/4"	1-1/4"	¾" x 3"	¾" x 8" x 8"
14" PIPE	1-1/4"	1-1/4"	¾" x 3"	¾" x 8" x 8"
16" PIPE	1-1/4"	1-1/4"	¾" x 3"	¾" x 10" x 10"
18" PIPE	1-1/4"	1-1/4"	¾" x 3"	¾" x 10" x 10"



STOCK SIZES:  
 1'-0" TO 1'-6" TALL  
 1'-6" TO 2'-0" TALL  
 1'-6" TO 2'-6" TALL  
 2'-0" TO 2'-6" TALL  
 2'-0" TO 3'-0" TALL  
 2'-6" TO 3'-0" TALL  
 2'-6" TO 3'-6" TALL  
 3'-0" TO 3'-6" TALL  
 3'-0" TO 4'-0" TALL



"Quality Steel Fab For the Waterworks Industry"  
[www.pipesupportsplus.com](http://www.pipesupportsplus.com)

THIS DRAWING IS THE PROPERTY OF PIPE SUPPORTS PLUS AND MUST BE RETURNED UPON REQUEST. REPRODUCTION HEREOF OR TRANSMISSIONS MAY NOT BE MADE WITHOUT CONSENT



APPROVED FOR FABRICATION

SIGN : \_\_\_\_\_

PRINT : \_\_\_\_\_

DATE : \_\_\_\_\_

Description

STANDARD ADJ PIPE SUPPORT  
 W/ TOP STRAP

File

Standard ADJ.pipe Support With Top Strap.dwg

Drawn

MAP

Date

6/26/2021

N.T.S

ALL DIMENSIONS ARE IN INCH.