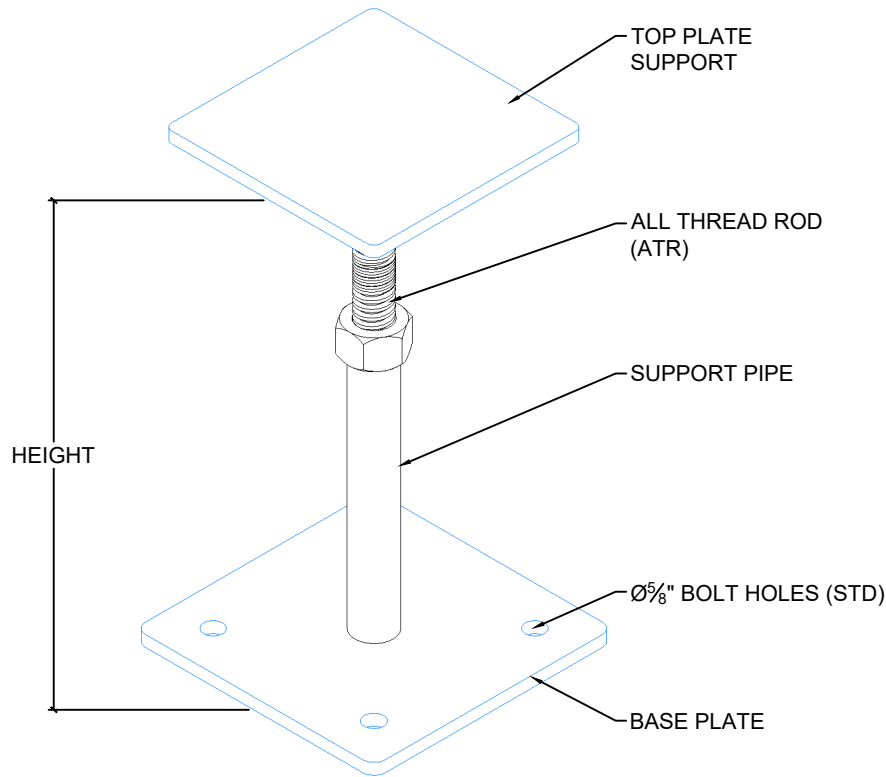


SUPPORT PIPE: A53, SCH.40, CARBON STEEL
 SADDLE/BASE PLATE: A36 CARBON STEEL
 COATING: TNEMEC SERIES 66; PS+ BLUE
 ATR/NUT: ZINC PLATED A193/A194 STEEL

PIPE SIZE	ALL THREAD ROD	SUPPORT PIPE	TOP PLATE	BASE PLATE
3" PIPE	1"	1"	1/4" x 3" x 3"	1/4" x 5" x 5"
4" PIPE	1"	1"	1/4" x 3" x 3"	1/4" x 5" x 5"
6" PIPE	1"	1"	1/4" x 3" x 3"	1/4" x 5" x 5"
8" PIPE	1"	1"	1/4" x 3" x 3"	1/4" x 5" x 5"
10" PIPE	1-1/4"	1-1/4"	3/8" x 5" x 5"	3/8" x 8" x 8"
12" PIPE	1-1/4"	1-1/4"	3/8" x 5" x 5"	3/8" x 8" x 8"
14" PIPE	1-1/4"	1-1/4"	3/8" x 5" x 5"	3/8" x 8" x 8"
16" PIPE	1-1/4"	1-1/4"	3/8" x 8" x 8"	3/8" x 10" x 10"
18" PIPE	1-1/4"	1-1/4"	3/8" x 8" x 8"	3/8" x 10" x 10"



STOCK SIZES:
 1'-0" TO 1'-6" TALL
 1'-6" TO 2'-0" TALL
 1'-6" TO 2'-6" TALL
 2'-0" TO 2'-6" TALL
 2'-0" TO 3'-0" TALL
 2'-6" TO 3'-0" TALL
 2'-6" TO 3'-6" TALL
 3'-0" TO 3'-6" TALL
 3'-0" TO 4'-0" TALL



"Quality Steel Fab For the Waterworks Industry"
www.pipesupportsplus.com

THIS DRAWING IS THE PROPERTY OF PIPE SUPPORTS PLUS AND MUST BE RETURNED UPON REQUEST. REPRODUCTION HEREOF OR TRANSMISSIONS MAY NOT BE MADE WITHOUT CONSENT



APPROVED FOR FABRICATION

SIGN : _____

PRINT : _____

DATE : _____

Description

STANDARD ADJ PIPE SUPPORT
 W/ TOP PLATE

File

Standard ADJ.pipe Support With Top Plate.dwg

Drawn

MAP

Date

6/26/2021

N.T.S

ALL DIMENSIONS ARE IN INCH.